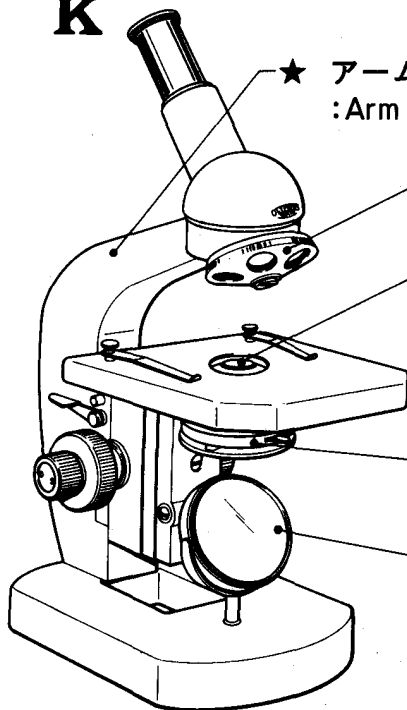


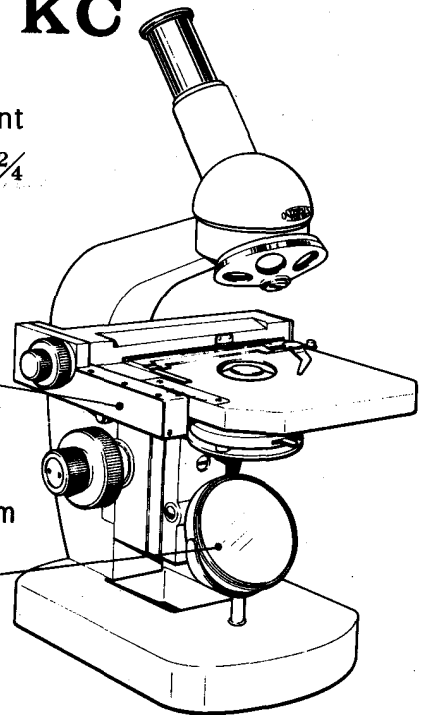
# K series 生物顕微鏡: BIOLOGICAL MICROSCOPES

## K

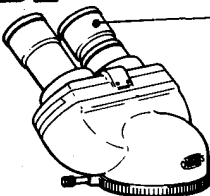


- ★ アーム及び粗微動部 Fig 1/4, 2/4  
: Arm & Coarse Focusing Adjustment
- ★ レボルバー(Re-III) Fig 2/4  
: Revolving Nosepiece
- ★1 コンデンサー(Ca-II)  
: Condenser
- ☆3 ステージ(K-CS-5)  
: Stage
- ★2 紅彩絞り(GI-III)  
: Aperture Iris Diaphragm
- ミラー(MM-II)  
: Mirror

## KC

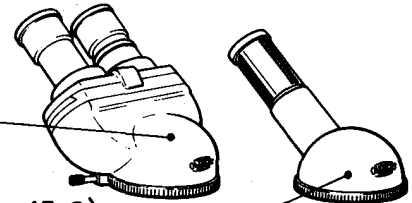


## KHC-Bi



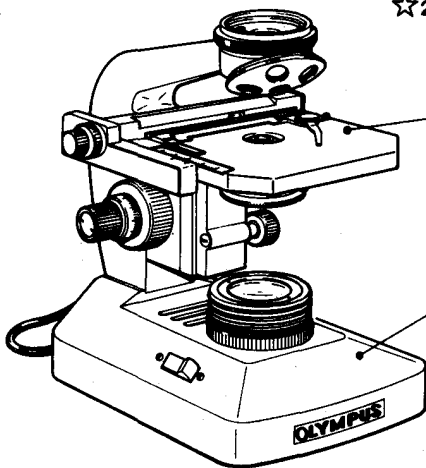
- ☆1 双眼鏡筒(K-Bi・K-Bi-WH)  
: Binocular Tube

## KHS-Bi/mono



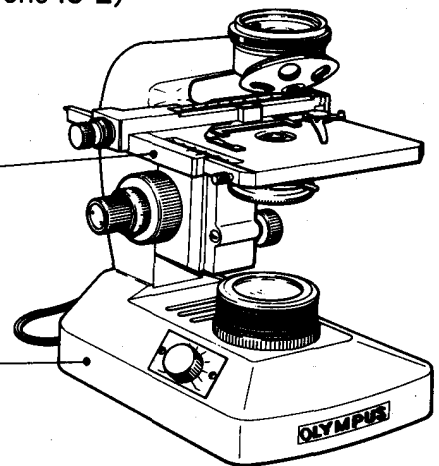
- ☆1 双眼鏡筒(K-Bi・K-Bi-WH)  
: Binocular Tube

- ☆2 単眼鏡筒(K-Mono45・K-Mono45-2)  
: Monocular Tube



- ☆3 ステージ(K-CS-5)  
: Stage
- ☆4 ステージ(K-CS-6)  
: Stage
- 鏡体(KH).....Fig 3/4  
: Stand

- 鏡体(KH-2).....Fig 4/4  
: Stand



(注) ★印は、一部の部品を除き、Kシリーズ全機種に共通。: Common parts in K Series with some exceptions.

★1. ★2「12 顕微鏡附属品」を参照。Refer to PARTS LIST No.12.

☆印は、一部の部品を除き、他機種と共通。: Common parts with other microscope models with some exceptions.

☆1「12 顕微鏡附属品」のBi-H45-CH-2を参照。: Refer to Model Bi-H45-CH-2 in PARTS LIST No.1

☆2「12 顕微鏡附属品」のMono-45あるいはMono-45-2を参照。: Refer to Mono-45 or Mono-45-2 in PARTS LIST No.12.

☆3「12 顕微鏡附属品」のCS-5を参照。: Refer to Model CS-5 in PARTS LIST No.12.

☆4「12 顕微鏡附属品」のCS-6を参照。: Refer to Model CS-6 in PARTS LIST No.12.

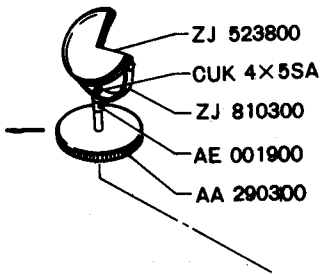
A

B

C

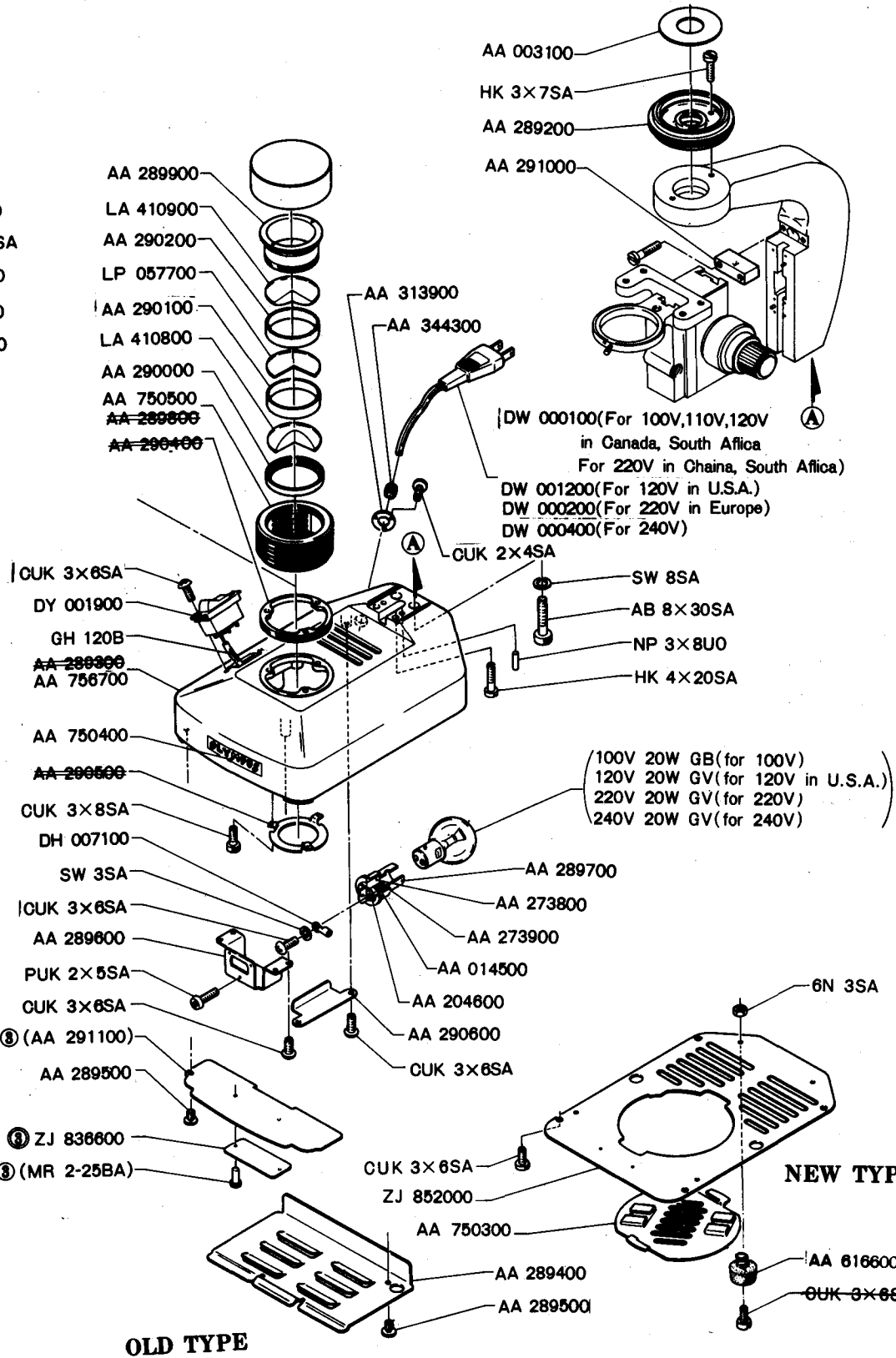
D

1



MM-II

2



3

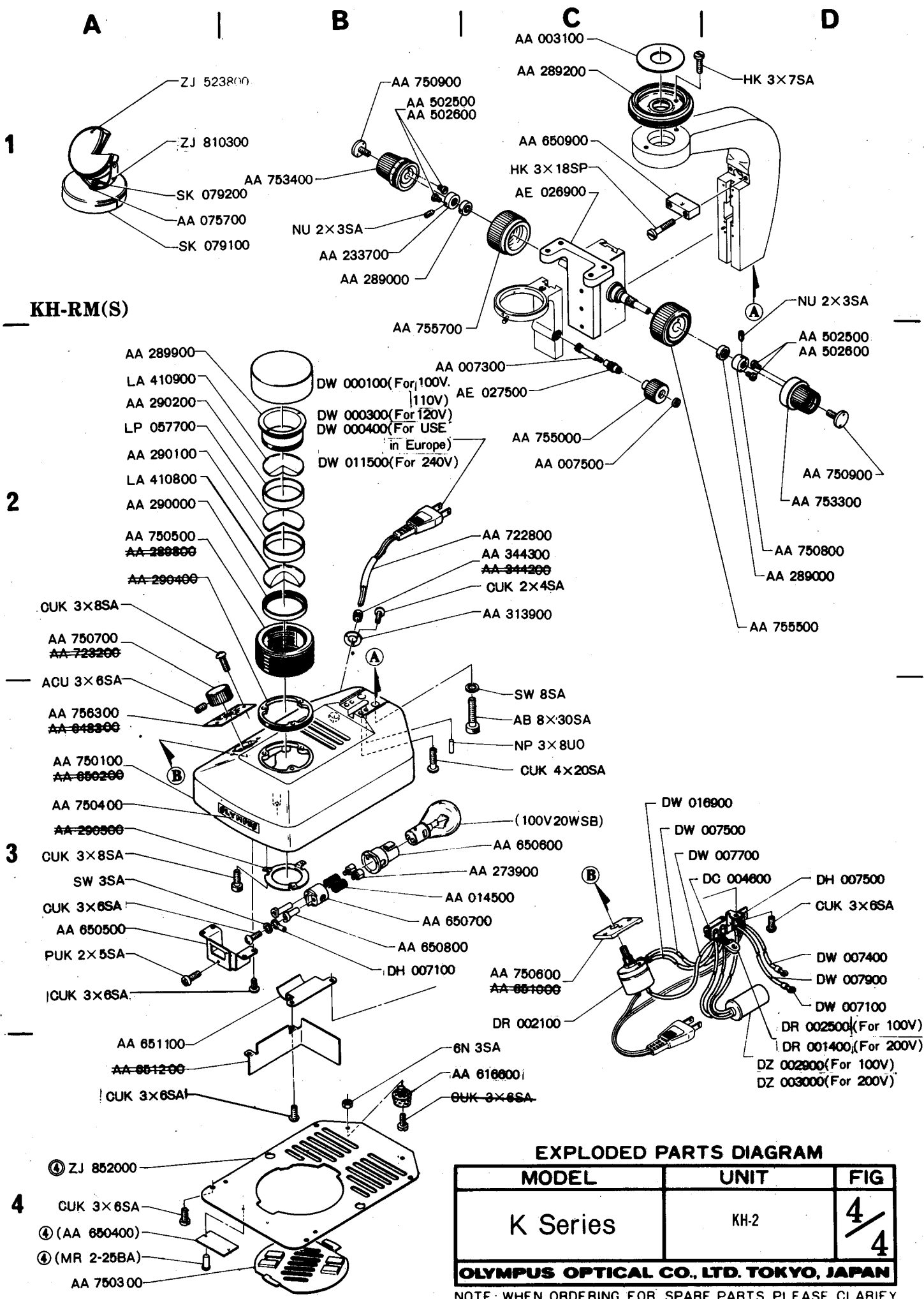
4

EXPLODED PARTS DIAGRAM

MODEL	UNIT	FIG
K Series	KH	3/4

OLYMPUS OPTICAL CO., LTD. TOKYO, JAPAN

NOTE: WHEN ORDERING FOR SPARE PARTS, PLEASE CLARIFY A MODEL OR UNIT, PARTS NUMBER AND QUANTITY.



**EXPLODED PARTS DIAGRAM**

MODEL	UNIT	FIG
K Series	KH-2	4/4

**OLYMPUS OPTICAL CO., LTD. TOKYO, JAPAN**

NOTE: WHEN ORDERING FOR SPARE PARTS, PLEASE CLARIFY A MODEL OR UNIT, PARTS NUMBER AND QUANTITY.

結線図 ; CONNECTING DIAGRAM

